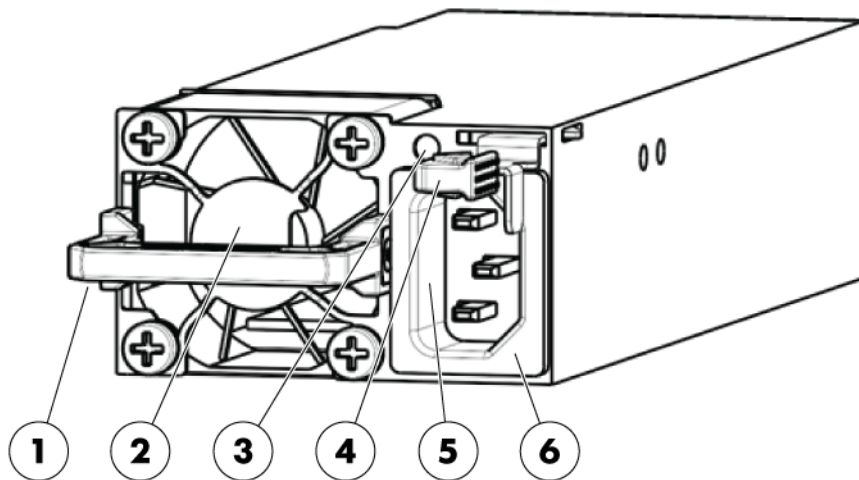


Overview

HPE Flexible Slot Power Supplies

HPE Flexible Slot (Flex Slot) Power Supplies share a common electrical and physical design that allows for hot plug, tool-less installation into HPE server solutions. HPE's Flex Slot power supplies are certified for high-efficiency operation and offer multiple power output options, allowing users to "right-size" a power supply for specific server configurations. This flexibility helps to reduce power waste, lower overall energy costs, and avoid "trapped" power capacity in the data center.

Flex Slot power supplies are rated for Platinum-level certification with efficiency of up to 94%, and Titanium-level certification with efficiency of up to 96%. Support for HPE Power Discovery Services, via embedded power line communication technology on the Gen9 ProLiant Servers, is also available with the 800W Titanium and 1400W Platinum Plus model. This feature enables each server to communicate identification, location, and power-related data to the Intelligent Power Distribution Unit in the rack which can then be shared with HPE Insight Control to manage power usage and efficiency in the data center.



HPE Flexible Slot Power Supplies

- | | |
|--------------------------------------|--|
| 1. Power Supply Handle | 4. Release Lever |
| 2. Identification Label | 5. C-14 Input Connector |
| 3. Power Supply LED Status Indicator | 6. Power Discovery Services Communication Port (Gen9 800W Titanium Plus and Gen9 1400W Platinum Plus model only) |

Overview

Models

HPE Power Supplies

Gen9 Flexible Slot Power Supplies

NOTE: Mixing different power supplies in the same server may limit or disable some power supply features including support for power redundancy. To ensure access to all available features, all power supplies within the same server should have the same output and efficiency ratings.

NOTE: Low Halogen Power Supplies are not compatible with HPE Gen9 Servers.

HPE Flexible Slot Platinum Power Supply Kits

NOTE: Flex Slot Platinum power supplies support power efficiency of up to 94% and include a standard C-14 power inlet connector.

HPE 500W Flex Slot Platinum Hot Plug Power Supply Kit 720478-B21

HPE 800W Flex Slot Platinum Hot Plug Power Supply Kit 720479-B21

HPE Flexible Slot Platinum Plus Power Supply Kits

NOTE: Flex Slot Platinum Plus power supplies support power efficiency of up to 94% and include a C-14 power inlet connector that can support HPE Power Discovery Services (blue connector).

NOTE: 1400W Flex Slot Platinum Plus power supplies must be used with high-line input (200V – 240V AC).

HPE 1400W Flex Slot Platinum Plus Hot Plug Power Supply Kit 720620-B21

HPE Flexible Slot Titanium Plus Power Supply Kits

NOTE: Flex Slot Titanium Plus power supplies support power efficiency of up to 96% and include a C-14 power inlet connector that can support HPE Power Discovery Services (blue connector).

NOTE: 800W Flex Slot Titanium Plus power supplies must be used with high-line input (200V – 240V AC).

HPE 800W Flex Slot Titanium Hot Plug Power Supply Kit 720482-B21

HPE Flexible Slot -48VDC Power Supply Kits

NOTE: Flex Slot -48VDC power supplies support power efficiency of up to 94%.

HPE 800W Flex Slot -48VDC Hot Plug Power Supply Kit 720480-B21

HPE Flexible Slot HVAC/HVDC Power Supply Kits

NOTE: Flex Slot universal power supplies support power efficiency of up to 94% and support both 277VAC/380VDC power inputs.

HPE 800W Flex Slot Universal Hot Plug Power Supply Kit 720484-B21

Gen10 Flexible Slot Power Supplies

NOTE: Mixing different power supplies in the same server may limit or disable some power supply features including support for power redundancy. To ensure access to all available features, all power supplies within the same server should have the same output and efficiency ratings.

NOTE: Low Halogen Power Supplies are not compatible with HPE Gen9 Servers.

HPE Flexible Slot Platinum Power Supply Kits

NOTE: Flex Slot Platinum power supplies support power efficiency of up to 94% and include a standard C-14 power inlet connector.

NOTE: 1600W Flex Slot Platinum power supplies must be used with high-line input (200V – 240V AC).

HPE 500W Flex Slot Platinum Hot Plug Low Halogen Power Supply Kit 865408-B21

HPE 800W Flex Slot Platinum Hot Plug Low Halogen Power Supply Kit 865414-B21

HPE 1600W Flex Slot Platinum Hot Plug Low Halogen Power Supply Kit 830272-B21

HPE Flexible Slot Titanium Power Supply Kits

NOTE: Flex Slot Titanium power supplies support power efficiency of up to 96% and include a standard C-14 power inlet connector.

NOTE: 800W Flex Slot Titanium Plus power supplies must be used with high-line input (200V – 240V AC).

HPE 800W Flex Slot Titanium Hot Plug Low Halogen Power Supply Kit 865438-B21

HPE Flexible Slot -48VDC Power Supply Kits

NOTE: Flex Slot -48VDC power supplies support power efficiency of up to 94%.

Overview

HPE 800W Flex Slot -48VDC Hot Plug Low Halogen Power Supply Kit 865434-B21

HPE Flexible Slot HVAC/HVDC Power Supply Kits

NOTE: Flex Slot universal power supplies support power efficiency of up to 94% and support both 277VAC/380VDC power inputs.

HPE 800W Flex Slot Universal Hot Plug Low Halogen Power Supply Kit 865428-B21

HPE Scalable Persistent Memory Power Supply and Battery Backup

NOTE: Contains 2 units in each SKU. Must be used with HPE Scalable Persistent Memory solution

HPE Scalable Persistent Memory 800W Flex Slot PSU and 400W BBU 2-pack FIO Kit 827608-B21

Standard Features

Features/Benefits

Titanium-Certified Power Efficiency

- Titanium (96%) power efficiency certification from 80Plus program – one of the highest power efficiency certifications available in the IT industry
- Reduces data center operating costs related to power by reducing server power requirements and power waste

Flex Slot Design

- Tool-less hot plug design improves serviceability by allowing quick and easy access to system power supplies
- Common form factor across all ProLiant Gen9 and Gen10 servers allows multiple server platforms to share power supply spares, reducing cost and space requirements for spares

Multiple Power Output Options

- Multiple output options allowing users to "right-size" their power needs and avoid "trapped" power capacity in their data centers caused by over-subscribing power needs
- Support for both low-line and high-line AC input voltages providing additional flexibility to operate in multiple IT environments (500W and 800W Platinum only). -48VDC, 277VAC and 380VDC input voltages are also available.

Power Management

- Supports multiple operating modes to maximize power efficiency when configuring servers with redundant power supplies
- Integrated support for HPE's Power Discovery Services which communicates with the intelligent PDU to monitor and manage power usage (Gen9 800W Titanium and Gen9 1400W Platinum Plus only)

80Plus Certification

The 80PLUS test protocol was developed jointly by Ecos Plug Load Solutions and the Electric Power Research Institute (EPRI) in 2003, with the program being formally launched in 2004.

The 80 PLUS performance specification requires power supplies in servers to be 80% or greater energy efficient at 20%, 50% and 100% of rated load with a true power factor of 0.9 or greater. This makes an 80 PLUS certified power supply substantially more efficient than typical power supplies found in many other electrical devices.

Who benefits from the 80PLUS power supply program?

- Commercial/Residential Consumers - empowered with information regarding energy efficient IT options that help them cut energy costs and reduce their environmental impact
- Utility/Power Providers - participation in a program that focuses on reducing power demands on overburdened grids as well as reducing power waste and its associated environmental impact

What are the efficiency requirements for each certification level?

80 PLUS Certification	230V Internal		
	20%	50%	100%
80 PLUS Bronze	81%	85%	81%

Standard Features

80 PLUS Silver	85%	89%	85%
80 PLUS Gold	88%	92%	88%
80 PLUS Platinum	90%	94%	91%
80 PLUS Titanium	94%	96%	91%

What level of certification do HPE Flexible Slot Power Supplies meet?

HPE's Platinum and Platinum Plus power supply options meet 80PLUS requirements for Platinum certification. HPE's Titanium and Titanium Plus power supply options meet 80PLUS requirements for Titanium certification. To review 80Plus certification reports for each HPE Flexible Slot Power Supply, please refer to the 80Plus website at: <http://www.80plus.org/>.

HPE Power Discovery Services

HPE Power Discovery Services (PDS) combines the HPE Intelligent Power Distribution Unit (iPDU) and HPE Flex Slot Platinum Plus power supplies with HPE Insight Control software to create an automated, energy-aware network between IT systems and facilities.

HPE Power Discovery Services Features and Benefits :

- Captures highly accurate power data across racks and rows of servers in order to identify and eliminate areas of waste
- Extends the life of the data center by reclaiming up to 3x energy capacity of the data center
- Ensures uptime by eliminating human error during power planning and provisioning

Which HPE Flex Slot Power Supply Supports PDS?

- Gen9 HPE 1400W Flex Slot Platinum Plus Hot Plug Power Supply Kit
- Gen9 HPE 800W Flex Slot Titanium Hot Plug Power Supply Kit

How Is PDS enabled by Flex Slot Platinum Plus or Flex Slot Titanium Power Supplies?

HPE Flex Slot Titanium Power Supplies and HPE Flex Slot Platinum Plus Power Supplies include an embedded power line communication feature that allows the power supply to communicate server data (such as name, UUID, and IP address) to an HPE Intelligent Power Distribution Unit (iPDU). This feature is supported on all HPE ProLiant Gen9 servers that support HPE Flex Slot Titanium Power Supplies and HPE Flex Slot Platinum Plus power supplies.

NOTE: Standard power cables and jumper cords do not support the power line communications feature required for operating HPE Power Discovery Services. Please refer to the "Related Options" section of this QuickSpecs for more information on cable options that support Power Discovery Services.

To learn more on HPE Power Discovery Services, please visit the HPE website at: <https://www.hpe.com/servers/powerdiscovery>.

Support for Redundant Power Supplies

An HPE ProLiant server solutions configured with 2 Flex Slot Power Supplies – 500W, 800W, 1400W, or 1600W - supports the following three power scenarios:

- Operation with a single power supply
- Operation with redundant power supplies in load-balanced mode
- Operation with redundant power supplies in high-efficiency mode

A single Flex Slot Power Supply supporting the entire load of the server can achieve the highest efficiency when operating in the middle range (50%) of its capacity.

Standard Features

For redundant Flex Slot Power Supplies operating in load-balanced mode (the default mode when adding redundant power supplies), the load is shared equally between the two power supplies. In general, the load-balanced mode offers better efficiency for loads requiring more than 60 percent of the primary power supply capacity.

When high-efficiency mode is enabled for redundant supplies (via the server's ROM-based setup utility under System options -> Redundancy options), each power supply in the server is designated as either a primary or secondary supply, and the entire server load is shifted to the primary power supply. This allows the primary power supply to operate at higher efficiency points on the load curve while the secondary power supply operates in idle mode, providing no output power and consuming very little energy (typically two to four watts per supply). The user can also specify that odd or even power supplies will be designated manually or automatically as secondary supplies. This flexibility allows users to balance the load across a rack manually or automatically.

Compatibility

HPE Gen9 Flex Slot power supplies are compatible with all HPE ProLiant Gen9 Performance servers including the:

- HPE ProLiant DL360 Gen9
- HPE ProLiant DL380 Gen9
- HPE ProLiant ML350 Gen9

HPE Gen10 Flex Slot Low Halogen power supplies are compatible with most HPE ProLiant servers including the:

- HPE ProLiant DL360 Gen10
- HPE ProLiant DL380 Gen10
- HPE ProLiant DL560 Gen10
- HPE ProLiant DL580 Gen10
- HPE ProLiant ML110 Gen10
- HPE ProLiant ML350 Gen10
- HPE Apollo 2000 Gen10
- HPE Apollo 4500 Gen10

HPE Scalable Persistent Memory Flex Slot power supply and battery backup is compatible with HPE ProLiant DL380 Gen10

To check for power supply compatibility, please review the appropriate HPE Server QuickSpecs at <http://www.hpe.com/info/qs>.

Service and Support

Service and Support **NOTE:** HPE Flexible Slot Power supplies are supported as a part of the HPE Server Infrastructure. No separate care packs are needed to be purchased.

HPE Technology Services for Industry Standard Servers

HPE Technology Services delivers confidence, reduces risk and helps customers realize agility and stability. Connect to HPE to help prevent problems and solve issues faster. Our support technology lets you to tap into the knowledge of millions of devices and thousands of experts to stay informed and in control, anywhere, any time.

Protect your business beyond warranty with HPE Pointnext operational services

HPE Pointnext operational services enable you to order the right service level, length of coverage and response time as you purchase your new server, giving you full entitlement for the term you select.

Get connected to HPE to improve your support experience Connecting products to Hewlett Packard Enterprise will help prevent problems with 24x7 monitoring, prefailure alerts, automatic call logging, and parts dispatch. With Connected products, you can have a dashboard to manage your IT anywhere, anytime, from any device.

HPE Support Center Personalized online support portal with access to information, tools and experts to support Hewlett Packard Enterprise business products. Submit support cases online, chat with HPE experts, access support resources or collaborate with peers. Learn more <http://www.hpe.com/services/hpsc>

The HPE Support Center Mobile App* allows you to resolve issues yourself or quickly connect to an agent for live support. Now, you can get access to personalized IT support anywhere, anytime. HPE Insight Remote Support and HPE Support Center are available at no additional cost with a HPE warranty, HPE Care Pack or Hewlett Packard Enterprise contractual support agreement.

*The Hewlett Packard Enterprise Support Center Mobile App is subject to local availability.

Parts and materials Hewlett Packard Enterprise will provide Hewlett Packard Enterprise -supported replacement parts and materials necessary to maintain the covered hardware product in operating condition, including parts and materials for available and recommended engineering improvements.

Parts and components that have reached their maximum supported lifetime and/or the maximum usage limitations as set forth in the manufacturer's operating manual, product QuickSpecs, or the technical product data sheet will not be provided, repaired, or replaced as part of these services.

The defective media retention service feature option applies only to Disk or eligible SSD/Flash Drives replaced by Hewlett Packard Enterprise due to malfunction.

Warranty / Service Coverage For ProLiant servers and storage systems, this service covers HPE-branded hardware options qualified for the server, purchased at the same time or afterward, internal to the enclosure, as well as external monitors up to 22" and tower UPS products; these items will be covered at the same service level and for the same coverage period as the server unless the maximum supported lifetime and/or the maximum usage limitation has been exceeded. Coverage of the UPS battery is not included; standard warranty terms and conditions apply.

The defective media retention service feature option applies only to Disk or eligible SSD/Flash Drives replaced by HPE due to malfunction. It does not apply to any exchange of Disk or SSD/Flash Drives that have not failed. SSD/Flash Drives that are specified by HPE as consumable parts and/or that have exceeded maximum supported lifetime and/or the maximum usage limit as set forth in the manufacturer's operating manual or the technical data sheet are not eligible for the defective media retention service feature option.

Service and Support

For more information

To learn more on services for HPE ESSN Options, please contact your Hewlett Packard Enterprise sales representative or Hewlett Packard Enterprise Authorized Channel Partner. Or visit: <http://www.hpe.com/services>

Related Options

Related Options

VAC C13 to C14 Power Cables	HPE C13 - C14 WW 250V 10A Gray 0.7m Jumper Cord	A0K03A
	HPE C13 - C14 WW 250V 10A Gray 1.37m Jumper Cord	A0K04A
	HPE C13 - C14 WW 250V 10Amp Flint Gray 2.0m Jumper Cord	AF573A
	HPE C13 - C14 WW 250V 10A Gray 3.0m Jumper Cord	A0K06A
	HPE C13 - C14 WW 250V 10Amp 0.7m Jumper Cord	142257-B28
	HPE C13 - C14 WW 250V 10Amp 1.4m Jumper Cord	142257-006
	HPE C13 - C14 WW 250V 10Amp 1.4m 15 pc Jumper Cord	142257-007
	HPE C13 - C14 WW 250V 10Amp 2.0m Jumper Cord	A0K02A
	HPE C13 - C14 WW 250V 10Amp 2.5m Jumper Cord	142257-002
	HPE C13 - C14 WW 250V 10Amp 3.0m Jumper Cord	142257-003
	HP C13-C14 WW 250V 10Amp Pwr Line 2.5m 1pc Jumper Cord	D9Y24A
	HP C13-C14 WW 250V 10Amp Pwr Line 2.5m 5pc Jumper Cord	D9Y25A
	HPE C13 - JIS C8303 JP 100V 12Amp 2.0m Power Cord	AF572A
	HPE C13 - AS3112-3 AU 250V 10Amp 2.5m Power Cord	AF569A
	HPE C13 - Nema 5-15P US/CA 110V 10Amp 1.83m Power Cord	AF556A
	HPE C13 - Nema 6-15P US 250V 15A JP 3.6m Power Cord	A0N33A
	HPE C13 - GB-1002 CN 250V 10Amp 1.83m Power Cord	AF557A
	HPE C13 - IS-1293 IN 240V 6Amp LV 2.0m Power Cord	AF562A
	HPE C13 - IS-1293 IN 250V 10Amp HV 2.5m Power Cord	SG579A
	HPE C13 - CNS-690 TW 110V 13Amp 1.83m Power Cord	AF561A
	HPE C13 - IRAM -2073 AR 250V 10A 2.5m Power Cord	AF558A
	HPE C13 - NBR-14136 BR 250V 10Amp 1.83m Power Cord	AF591A
	HPE C13 - DK-2.5A DK 250V 10Amp 1.83m Power Cord	AF566A
	HPE C13 - CEE-VII EU 250V 10Amp 1.83m Power Cord	AF568A
	HPE C13 - SI-32 IL 250V 10Amp 1.83m Power Cord	AF564A
	HPE C13 - CEI-23-50 IT/CL 250V 10Amp 1.83m Power Cord	AF571A
	HPE C13 - KSC- 8305 KR 250V 10Amp 1.83m Power Cord	AF560A
	HPE C13 - SABS-164 ZA 250V 10Amp 2.5m Power Cord	AF567A
	HPE C13 - SEV 1011 CH 250V 10Amp 1.83m Power Cord	AF565A
	HPE C13 - Nema 5-15P TH/PH 250V 10Amp 1.83m Power Cord	AF559A
	HPE C13 - BS-1363A UK/HK/SG 250V 10Amp 1.83m Power Cord	AF570A

NOTE: Standard power cables and jumpers do not support Power Line Communications or Power Discovery Services.

NOTE: Power Discovery Services is only supported on Gen9 servers.

Power Line Communication (PLC) Power Cables	HPE C13 - C14 WW 250V 10Amp IPD 0.76m 1pc Jumper Cord	SG506A
	HPE C13 - C14 WW 250V 10Amp IPD 0.76m 5pc Jumper Cord	SG507A
	HPE C13 - C14 WW 250V 10Amp IPD 1.37m 1pc Jumper Cord	SG508A
	HPE C13 - C14 WW 250V 10Amp IPD 1.37m 5pc Jumper Cord	SG509A
	HPE C13 - C14 WW 250V 10Amp IPD 1.83m 1pc Jumper Cord	SG510A
	HPE C13 - C14 WW 250V 10Amp IPD 1.83m 5pc Jumper Cord	SG511A
	HPE C13 - C14 WW 250V 10Amp IPD 3.0m 1pc Jumper Cord	SG512A

NOTE: These cables are required for the Gen9 800W Titanium and Gen9 1400W Platinum Plus option if using the HPE Intelligent PDU for Power Discovery Services.

NOTE: Power Discovery Services is only supported on Gen9 servers.

Related Options

-48VDC Power Cables	HP No Plug 12AWG 48V DC 3.0m Power Cord	J6X43A
	NOTE: This cable is only used with Gen9 -48VDC Flex Slot Power Supplies.	
	HPE 48VDC 2.85m Power Cable	Q0H80A
	HPE 48VDC POWER CABLE 3.28M	Q0H81A
	HPE 48VDC POWER CABLE 3.95M	Q0H82A
	NOTE: Q0H80A, Q0H81A, and Q0H82A are only used with Gen10 -48VDC Flex Slot Power Supplies.	
277VAC / 380VDC Power Cables	HP SAFDGRID-LS-25 277V 15Amp AC 0.76m Jumper Cord	J6X01A
	HP SAFDGRID-LS-25 277V 15Amp AC 1.37m Jumper Cord	J6X02A
	HP SAFDGRID-LS-25 277V 15Amp AC 2.0m Jumper Cord	J6X03A
	HP SAFDGRID-SAFDGRID 277V 15Amp DC 0.76m Jumper Cord	J6W98A
	HP SAFDGRID-SAFDGRID 277V 15Amp DC 1.37m Jumper Cord	J6W99A
	HP SAFDGRID-SAFDGRID 277V 15Amp DC 2.0m Jumper Cord	J6X00A
	NOTE: These cables are only used with 277VAC / 380VDC Flex Slot Power Supplies.	

Power Specifications

HPE 500W Flex Slot Platinum Hot Plug Power Supply Kit (720478-B21)	HPE's Generic Part Number								723594-001
	HPE's Spares Part Number								754377-001
Input Voltage Range (V rms)	100-240								
Frequency Range (Nominal) (Hz)	50-60								
Nominal Input Voltage (V rms)	100	120	127	200	208	220	230	240	
Maximum Rated Output Wattage Rating (Watts)	500	500	500	500	500	500	500	500	
Nominal Input Current (A rms)	5.6	4.6	4.3	2.7	2.6	2.5	2.4	2.3	
Maximum Rated Input Wattage Rating (Watts)	558	550	543	539	538	538	537	537	
Maximum Rated VA (Volt-Amp)	564	556	549	544	544	543	542	542	
Efficiency (%)	89.6	90.9	92.1	92.8	92.9	93.0	93.1	93.1	
Power Factor	0.99	0.99	0.99	0.99	0.99	0.99	0.99	0.99	
Leakage Current (mA)	0.32	0.38	0.40	0.63	0.65	0.69	0.72	0.75	
Maximum Inrush Current (A peak)	30								
Maximum Inrush Current duration (ms)	10								
Maximum British Thermal Unit Rating (BTU-Hr)	1904	1877	1853	1839	1837	1834	1832	1832	

HPE 800W Flex Slot Titanium Hot Plug Power Supply (720482-B21)	HPE's Generic Part Number					734868-001
	HPE's Spares Part Number					754378-001
Input Voltage Range (V rms)	200-240					
Frequency Range (Nominal) (Hz)	50-60					
Nominal Input Voltage (V rms)	200	208	220	230	240	
Maximum Rated Output Wattage Rating (Watts)	800	800	800	800	800	
Nominal Input Current (A rms)	9.1	7.5	7.0	4.4	4.2	
Maximum Rated Input Wattage Rating (Watts)	906	891	878	871	870	
Maximum Rated VA (Volt-Amp)	915	900	887	880	879	
Efficiency (%)	88.3	89.8	91.1	91.9	92.0	
Power Factor	0.99	0.99	0.99	0.99	0.99	
Leakage Current (mA)	0.32	0.38	0.40	0.63	0.65	
Maximum Inrush Current (A peak)	30					
Maximum Inrush Current duration (ms)	10					
Maximum British Thermal Unit Rating (BTU-Hr)	2910	2907	2904	2901	2899	

HPE 800W Flex -48VDC Hot Plug Power Supply (720480-B21)	HPE's Generic Part Number			735040-001
	HPE's Spares Part Number			754382-001
Input Voltage Range (V DC)	-40 to -72			
Frequency Range (Nominal) (Hz)	DC			
Nominal Input Voltage (V DC)	-40	-48	-72	
Maximum Rated Output Wattage Rating (Watts)	800	800	800	
Nominal Input Current (A DC)	22.0	18.1	11.9	
Maximum Rated Input Wattage Rating (Watts)	882	871	858	
Maximum Rated VA (Volt-Amp)	882	871	858	
Efficiency (%)	90.7	91.9	93.2	
Power Factor	1.0			

Power Specifications

Leakage Current (mA)	0.0		
Maximum Inrush Current (A peak)	30		
Maximum Inrush Current duration (ms)	10		
Maximum British Thermal Unit Rating (BTU-Hr)	3008	2971	2929

HPE 800W Flex Slot Universal Hot Plug Power Supply (720484-B21) 277VAC	HPE's Generic Part Number					735037-001
	HPE's Spares Part Number					754379-001
Input Voltage Range (V rms)	200-277					
Frequency Range (Nominal) (Hz)	50-60					
Nominal Input Voltage (V rms)	200	208	230	240	277	
Maximum Rated Output Wattage Rating (Watts)	800	800	800	800	800	
Nominal Input Current (A rms)	4.4	4.2	3.8	3.7	3.2	
Maximum Rated Input Wattage Rating (Watts)	875	874	871	870	866	
Maximum Rated VA (Volt-Amp)	884	883	880	879	875	
Efficiency (%)	91.4	91.5	91.8	92.0	92.3	
Power Factor	0.99	0.99	0.99	0.99	0.99	
Leakage Current (mA)	0.54	0.56	0.62	0.65	0.75	
Maximum Inrush Current (A peak)	8					
Maximum Inrush Current duration (ms)	10					
Maximum British Thermal Unit Rating (BTU-Hr)	2986	2983	2973	2969	2956	

HPE 800W Flex Slot Universal Hot Plug Power Supply (720484-B21) 380VDC	HPE's Generic Part Number					735037-001
	HPE's Spares Part Number					754379-001
Input Voltage Range (V rms)	380					
Frequency Range (Nominal) (Hz)	DC					
Nominal Input Voltage (V rms)	380					
Maximum Rated Output Wattage Rating (Watts)	800					
Nominal Input Current (A rms)	2.3					
Maximum Rated Input Wattage Rating (Watts)	863					
Maximum Rated VA (Volt-Amp)	863					
Efficiency (%)	92.8					
Power Factor	1.00					
Leakage Current (mA)	0.0					
Maximum Inrush Current (A peak)	8					
Maximum Inrush Current duration (ms)	10					
Maximum British Thermal Unit Rating (BTU-Hr)	2943					

HPE 800W Flex Slot Platinum Hot Plug Power Supply (720479-B21)	HPE's Generic Part Number					723599-001		
	HPE's Spares Part Number					754381-001		
Input Voltage Range (V rms)	100-240							
Frequency Range (Nominal) (Hz)	50-60							
Nominal Input Voltage (V rms)	100	120	127	200	208	220	230	240
Maximum Rated Output Wattage Rating (Watts)	800	800	800	800	800	800	800	800
Nominal Input Current (A rms)	9.1	7.5	7.0	4.4	4.2	4.0	3.8	3.7

Power Specifications

Maximum Rated Input Wattage Rating (Watts)	906	891	878	871	870	869	868	868
Maximum Rated VA (Volt-Amp)	915	900	887	880	879	877	876	877
Efficiency (%)	88.3	89.8	91.1	91.9	92.0	92.1	92.2	92.1
Power Factor	0.99	0.99	0.99	0.99	0.99	0.99	0.99	0.99
Leakage Current (mA)	0.32	0.38	0.40	0.63	0.65	0.69	0.72	0.75
Maximum Inrush Current (A peak)	30							
Maximum Inrush Current duration (ms)	10							
Maximum British Thermal Unit Rating (BTU-Hr)	3090	3040	2997	2972	2968	2963	2960	2963

HPE 1400W Flex Slot Platinum Plus Hot Plug Power Supply (720620-B21)	HPE's Generic Part Number					733427-001		
	HPE's Spares Part Number					754383-001		
Input Voltage Range (V rms)	200-240							
Frequency Range (Nominal) (Hz)	50-60							
Nominal Input Voltage (V rms)	200	208	220	230	240			
Maximum Rated Output Wattage Rating (Watts)	1400	1400	1400	1400	1400			
Nominal Input Current (A rms)	7.9	7.6	7.2	6.8	6.5			
Maximum Rated Input Wattage Rating (Watts)	1567	1564	1560	1557	1554			
Maximum Rated VA (Volt-Amp)	1583	1580	1575	1572	1570			
Efficiency (%)	89.4	89.5	89.8	89.9	90.1			
Power Factor	0.99	0.99	0.99	0.99	0.99			
Leakage Current (mA)	0.63	0.65	0.69	0.72	0.75			
Maximum Inrush Current (A peak)	30							
Maximum Inrush Current duration (ms)	10							
Maximum British Thermal Unit Rating (BTU-Hr)	5346	5336	5322	5311	5302			

HPE 500W Flex Slot Platinum Hot Plug Low Halogen Power Supply Kit (865408-B21)	HPE's Generic Part Number					865398-001		
	HPE's Spares Part Number					866729-001		
Input Voltage Range (V rms)	100-240							
Frequency Range (Nominal) (Hz)	50-60							
Nominal Input Voltage (V rms)	100	120	127	200	208	220	230	240
Maximum Rated Output Wattage Rating (Watts)	500	500	500	500	500	500	500	500
Nominal Input Current (A rms)	5.6	4.6	4.4	2.7	2.6	2.5	2.4	2.3
Maximum Rated Input Wattage Rating (Watts)	557	550	549	539	539	538	537	537
Maximum Rated VA (Volt-Amp)	563	556	554	545	544	543	543	542
Efficiency (%)	89.7	90.8	91.1	92.7	92.8	93.0	93.1	93.1
Power Factor	0.99	0.99	0.99	0.99	0.99	0.99	0.99	0.99
Leakage Current (mA)	0.33	0.39	0.41	0.65	0.68	0.72	0.75	0.78
Maximum Inrush Current (A peak)	30							
Maximum Inrush Current duration (ms)	10							
Maximum British Thermal Unit Rating (BTU-Hr)	1902	1878	1873	1840	1838	1835	1833	1832

Power Specifications

HPE 800W Flex Slot Platinum Hot Plug Low Halogen Power Supply Kit (865414-B21)	HPE's Generic Part Number								865409-001
	HPE's Spares Part Number								866730-001
Input Voltage Range (V rms)	100-240								
Frequency Range (Nominal) (Hz)	50-60								
Nominal Input Voltage (V rms)	100	120	127	200	208	220	230	240	
Maximum Rated Output Wattage Rating (Watts)	800	800	800	800	800	800	800	800	
Nominal Input Current (A rms)	9.1	7.5	7.0	4.4	4.2	4.0	3.8	3.6	
Maximum Rated Input Wattage Rating (Watts)	899	887	883	867	866	865	864	864	
Maximum Rated VA (Volt-Amp)	908	896	892	876	875	874	873	873	
Efficiency (%)	89.0	90.2	90.6	92.3	92.4	92.5	92.6	92.6	
Power Factor	0.99	0.99	0.99	0.99	0.99	0.99	0.99	0.99	
Leakage Current (mA)	0.33	0.39	0.41	0.65	0.68	0.72	0.75	0.78	
Maximum Inrush Current (A peak)	30								
Maximum Inrush Current duration (ms)	10								
Maximum British Thermal Unit Rating (BTU-Hr)	3067	3025	3012	2958	2956	2951	2948	2949	

HPE 1600W Flex Slot Platinum Hot Plug Low Halogen Power Supply Kit (830272-B21)	HPE's Generic Part Number					830262-001
	HPE's Spares Part Number					863373-001
Input Voltage Range (V rms)	200-240					
Frequency Range (Nominal) (Hz)	50-60					
Nominal Input Voltage (V rms)	200	208	220	230	240	
Maximum Rated Output Wattage Rating (Watts)	1600	1600	1600	1600	1600	
Nominal Input Current (A rms)	8.7	8.3	7.9	7.5	7.2	
Maximum Rated Input Wattage Rating (Watts)	1734	1732	1726	1727	1725	
Maximum Rated VA (Volt-Amp)	1736	1734	1729	1729	1728	
Efficiency (%)	92.2	92.4	92.7	92.7	92.8	
Power Factor	1.00	1.00	1.00	1.00	1.00	
Leakage Current (mA)	0.63	0.65	0.69	0.72	0.75	
Maximum Inrush Current (A peak)	30					
Maximum Inrush Current duration (ms)	10					
Maximum British Thermal Unit Rating (BTU-Hr)	5918	5911	5888	5891	5884	

HPE 800W Flex Slot -48VDC Hot Plug Low Halogen Power Supply Kit (865434-B21)	HPE's Generic Part Number			865431-001
	HPE's Spares Part Number			866728-001
Input Voltage Range (V DC)	-40Vdc to -72Vdc			
Frequency Range (Nominal) (Hz)	DC			
Nominal Input Voltage (V DC)	40	48	72	
Maximum Rated Output Wattage Rating (Watts)	800	800	800	
Nominal Input Current (A DC)	22.1	18.2	12.0	
Maximum Rated Input Wattage Rating (Watts)	874	865	854	
Maximum Rated VA (Volt-Amp)	883	873	862	
Efficiency (%)	91.5	92.5	93.7	
Power Factor	1.0			

Power Specifications

Leakage Current (mA)	0.13	0.16	0.23
Maximum Inrush Current (A peak)	30		
Maximum Inrush Current duration (ms)	10		
Maximum British Thermal Unit Rating (BTU-Hr)	2983	2951	2912

HPE 800W Flex Slot Titanium Hot Plug Low Halogen Power Supply Kit (865438-B21)	HPE's Generic Part Number					865435-001
	HPE's Spares Part Number					866793-001
Input Voltage Range (V rms)	200-240					
Frequency Range (Nominal) (Hz)	50-60					
Nominal Input Voltage (V rms)	200	208	220	230	240	
Maximum Rated Output Wattage Rating (Watts)	800	800	800	800	800	
Nominal Input Current (A rms)	4.3	4.1	3.9	3.7	3.6	
Maximum Rated Input Wattage Rating (Watts)	851	851	850	848	848	
Maximum Rated VA (Volt-Amp)	860	859	858	857	857	
Efficiency (%)	94.0	94.0	94.2	94.3	94.3	
Power Factor	0.99	0.99	0.99	0.99	0.99	
Leakage Current (mA)	0.65	0.68	0.72	0.75	0.78	
Maximum Inrush Current (A peak)	30					
Maximum Inrush Current duration (ms)	10					
Maximum British Thermal Unit Rating (BTU-Hr)	2905	2903	2899	2895	2893	

HPE 800W Flex Slot Universal Hot Plug Low Halogen Power Supply Kit (865428-B21) 277VAC	HPE's Generic Part Number					865425-001
	HPE's Spares Part Number					866727-001
Input Voltage Range (V rms)	200-277					
Frequency Range (Nominal) (Hz)	50-60					
Nominal Input Voltage (V rms)	200	208	230	240	277	
Maximum Rated Output Wattage Rating (Watts)	800	800	800	800	800	
Nominal Input Current (A rms)	4.4	4.2	3.8	3.6	3.1	
Maximum Rated Input Wattage Rating (Watts)	869	868	865	864	861	
Maximum Rated VA (Volt-Amp)	877	876	874	872	869	
Efficiency (%)	92.1	92.2	92.5	92.6	93.0	
Power Factor	0.99	0.99	0.99	0.99	0.99	
Leakage Current (mA)	0.65	0.68	0.75	0.78	0.90	
Maximum Inrush Current (A peak)	8					
Maximum Inrush Current duration (ms)	10					
Maximum British Thermal Unit Rating (BTU-Hr)	2964	2960	2951	2947	2936	

HPE 800W Flex Slot Universal Hot Plug Low Halogen Power Supply Kit (865428-B21) HVDC	HPE's Generic Part Number					865425-001
	HPE's Spares Part Number					866727-001
Input Voltage Range (V rms)	380					
Frequency Range (Nominal) (Hz)	DC					
Nominal Input Voltage (V rms)	380					
Maximum Rated Output Wattage Rating (Watts)	800					
Nominal Input Current (A rms)	2.3					

Power Specifications

Maximum Rated Input Wattage Rating (Watts)	863
Maximum Rated VA (Volt-Amp)	863
Efficiency (%)	92.8
Power Factor	1.00
Leakage Current (mA)	0.0
Maximum Inrush Current (A peak)	8
Maximum Inrush Current duration (ms)	10
Maximum British Thermal Unit Rating (BTU-Hr)	2943

HPE Scalable Persistent Memory 800W Flex Slot PSU and 400W BBU 2-pack FIO Kit (827608-B21)	HPE's Generic Part Number								827497-001
	HPE's Spares Part Number								866430-001
Input Voltage Range (V rms)	100-240								
Frequency Range (Nominal) (Hz)	50-60								
Nominal Input Voltage (V rms)	100	120	127	200	208	220	230	240	
Maximum Rated Output Wattage Rating (Watts)	500	500	500	800	800	800	800	800	
Nominal Input Current (A rms)	5.6	4.6	4.7	4.4	4.2	3.9	3.8	3.6	
Maximum Rated Input Wattage Rating (Watts)	551	544	586	861	860	859	857	855	
Maximum Rated VA (Volt-Amp)	557	549	592	870	869	867	866	864	
Efficiency (%)	90.7	91.9	85.4	92.9	93.0	93.2	93.3	93.5	
Power Factor	0.99	0.99	0.99	0.99	0.99	0.99	0.99	0.99	
Leakage Current (mA)	0.33	0.39	0.41	0.65	0.68	0.72	0.75	0.78	
Maximum Inrush Current (A peak)	30								
Maximum Inrush Current duration (ms)	10								
Maximum British Thermal Unit Rating (BTU-Hr)	1881	1856	1999	2939	2935	2929	2925	2918	

Technical Specifications

All AC Power Supplies:

Operating Temperature	41° to 131°F (5° to 55°C)
Operating Relative Humidity (%)	5% to 95%, non-condensing
Operating Elevation	The maximum ambient temperature of the power supply shall have an altitude de-rating, from sea level, of 1.0°C per every 304.8 m (1.8°F per every 1000 ft) above sea level to a maximum of 3048 m (10,000 ft).
Storage Temperature	-40° to 185°F (-40 to 85°C)
Storage Relative Humidity (%)	5% to 95%, non-condensing
Storage Elevation	0 to 50,000ft (0 to 15,240m)
Input Voltage	Low Line - Rated: 100V - 127V; Min 90V to Max 132V High Line - Rated: 200 - 240V; Min 180V to Max 264V (model 720620-B21 and 720482-B21 supports High Line AC input only) High Line - Rated: 200 - 277VAC; Min 180VAC to Max 305VAC (model 720484-B21 only)
Input Frequency	Rated: 50 - 60Hz; Min 47Hz to Max 63Hz
FCC EMI Certification	CE Mark, UL, cUL, IEC, EN, KCC, BSMI, CCC, TUV, C-tick, CISPR Class A
Mechanical Dimensions (WxHxD)	2.68 x 1.59 x 8.87 in (6.80 x 4.04 x 22.53 cm) NOTE: Length includes from handle to card-edge.
Unit Weight	2.0 lbs. (0.91 kg) 3.0 lbs. (1.36 kg) (model 720620-B21 only)
Shipping Dimensions (WxHxD)	14.75 x 7.5 x 5.75 in (37.47 x 19.05 x 14.61 cm)
Shipping Weight	3.5 lb (1.59 kg) 4.5 lb (2.04 kg) (model 720620-B21 only)
Kit Contents	Model 720478-B21, 720479-B21, 720620-B21 720482-B21, 865408-B21 865414-B21, 830272-B21, and 865438-B21 ship with: (1) Power supply unit, (1) IEC C13-C14 jumper cable, installation/safety guide Model 720484-B21, 865428-B21 ship with: (1) Power supply unit, installation/safety guide

All DC Power Supplies:

Operating Temperature	41° to 131°F (5° to 55°C)
Operating Relative Humidity (%)	5% to 95%, non-condensing
Operating Elevation	0 to 5,000ft (1,524m) with no derating; The maximum ambient temperature of the power supply shall have an altitude derating from sea level, of 1.0°C per every 304.8 m (1.8°F per every 1000 ft) above sea level to a maximum of 3048 m (10,000 ft).
Storage Temperature	-40° to 185°F (-40 to 85°C)
Storage Relative Humidity (%)	5% to 95%, non-condensing
Storage Elevation	0 to 50,000ft msl
Input Voltage	48VDC to 54VDC (nominal); Min 40VDC to Max 72VDC (model 720480-B21 only) 380VDC(nominal); Min 240VDC to Max 420VDC (model 720484-B21 only)
Input Frequency	DC input
Conformance Standards	CE Mark, UL, CSA, IEC, EN, CNS, KC, CCC, C-tick, TUV, CISPR Class A
Mechanical Dimensions (WxHxD)	1.58 x 2.67 x 7.20 in (4.03 x 6.80 x 18.29 cm)
Unit Weight	2.5 lb (1.13 kg)
Shipping Dimensions (WxHxD)	14.87 x 7.25 x 5.63 in (37.77 x 18.42 x 14.30 cm)
Shipping Weight	3.5 lb (1.59 kg) (for model 720480-B21, 720484-B21)
Kit Contents	Models 720480-B21,720484-B21, and 865428-B21 ship with: (1) Power supply unit, installation/safety guide

Technical Specifications

800W Power Supply with 400 W BBU

Operating Temperature	50° to 98°F (10° to 37°C)
Operating Relative Humidity (%)	5% to 95%, non-condensing
Operating Elevation	The maximum ambient temperature of the power supply shall have an altitude de-rating of 2.0°C per every 304.8 m (1000 ft) starting from 1524m (5,000 ft.) up to 3048m (10,000 ft.) above sea level Non-Operating: 15240m (50,000 ft.) above sea level
Storage Temperature	-22° to 104°F (-30 to 40°C) for 3 months -22° to 77°F (-30 to 25°C) for 18 months
Storage Relative Humidity (%)	5% to 95%, non-condensing
Storage Elevation	0 to 50,000ft (0 to 15,240m)
Input Voltage	Low Line - Rated: 100V - 127V; Min 90V to Max 132V 500W Maximum Output Power High Line - Rated: 200 - 240V; Min 180V to Max 264V 800W Maximum Output Power
Input Frequency	Rated: 50 - 60Hz; Min 47Hz to Max 63Hz
FCC EMI Certification	CE Mark, UL, cUL, IEC, EN, KCC, BSMI, CCC, TUV, C-tick, CISPR Class A
Mechanical Dimensions (WxHxD)	2.68 x 1.59 x 8.87 in (6.80 x 4.04 x 22.53 cm) NOTE: Length includes from handle to card-edge.
Unit Weight	2.2 lbs. (1 kg)
Shipping Dimensions (WxHxD)	14.75 x 7.5 x 5.75 in (37.47 x 19.05 x 14.61 cm)
Kit Contents	Models 827608-B21 ship with: (1) Power supply unit, installation/safety guide The battery product may require replacement after 3 years operation in order to assure that the battery product retains the required capacity to fulfill the run time requirements of the end use system. The End use system will additionally provide Warning alert IML messaging to inform users of the need to replace the battery product when the remaining battery capacity is determined to be low.

Environment-friendly Products and Approach End-of-life Management and Recycling

Hewlett Packard Enterprise offers end-of-life product return, trade-in, and recycling programs, in many geographic areas, for our products. Products returned to Hewlett Packard Enterprise will be recycled, recovered or disposed of in a responsible manner.

<http://www.hpe.com/recycle>

The EU WEEE directive (2002/95/EC) requires manufacturers to provide treatment information for each product type for use by treatment facilities. This information (product disassembly instructions) is posted on the Hewlett Packard Enterprise web site. These instructions may be used by recyclers and other WEEE treatment facilities as well as Hewlett Packard Enterprise OEM customers who integrate and re-sell Hewlett Packard Enterprise equipment.

<http://www.hpe.com/recycle>

Summary of Changes

Date	Version History	Action	Description of Change
04-Dec-2017	From Version 5 to 6	Changed	Overview and Standard Features were revised.
25-Sep-2017	From Version 4 to 5	Added	New HPE Scalable Persistent Memory 800W Flex Slot PSU and 400W BBU 2-pack FIO Kit was added to the QuickSpecs.
		Changed	Overview, Standard Features, Power Specifications, and Technical Specifications were revised.
11-Jul-2017	From Version 3 to 4	Changed	Overview, Standard Features, Related Options, Power Specifications, and Technical Specifications were revised.
08-Jan-2016	From Version 2 to 3	Changed	Overview and Related Options sections were revised.
30-Mar-2015	From Version 1 to 2	Added	Added new Power Supply Kits.
		Changed	Overview, Standard Features, Service and Support, Related Options, Power Specifications, and Technical Specifications were revised.



Sign up for updates



**Hewlett Packard
Enterprise**

© Copyright 2017 Hewlett Packard Enterprise Development LP. The information contained herein is subject to change without notice. The only warranties for Hewlett Packard Enterprise products and services are set forth in the express warranty statements accompanying such products and services. Nothing herein should be construed as constituting an additional warranty. Hewlett Packard Enterprise shall not be liable for technical or editorial errors or omissions contained herein.

c04346217 - 15029 - Worldwide - V6 - 4-December-2017